

ABBATTITORI CHILLER /FREEZER

"CW 7/12KG"

Code	Model	Ref.	Page	Version	Notes
110199	BCF7A6	h	2,3,4	00	BLAST CHILL/FREEZER 12,5/7KG GN1/1-60HZ
110780	BC10A	g	2,3,4	30	BLAST CHILLER 10KG GN1/1
110781	BCF7A	d	2,3,4	33	BLAST CHILLER/FREEZER 12,5/7KG GN1/1 404A
110836	BCF7A	d	2,3,4	00	BLAST CHILLER/FREEZER 12,5/7KG GN1/1 R452A
726658	RBC051	e	2,3,4	32	BLAST CHILLER 10KG GN1/1 304A
726659	RBF051	a	2,3,4	34	BLAST CHILLER/FREEZER 12,5/7KG GN1/1 404A
727130	RBF0516	b	2,3,4	23	BLAST CHILL/FREEZER 12,5/7KG GN1/1-60HZ 404A
727496	RBF051T	a	2,3,4	06	BLAST CHILLER/FREEZER 12,5/7KG GN1/1 TK 404A
727622	RBC051P	i	2,3,4	02	BLAST CHILLER 10KG GN1/1 304A
727901	RBF051	a	2,3,4	00	BLAST CHILLER/FREEZER 12,5/7KG GN1/1 R452A
727902	RBF051T	a	2,3,4	00	BLAST CHILLER/FREEZER 12,5/7KG GN1/1 TK R452A
728525	EABP0071	f	2,3,4	31	BLAST CHILLER 10 KG GN1/1
728526	EBAC005	c	2,3,4	33	BLAST CHILLER/FREEZER 12,5/7 KG GN1/1 404A
728963	EBAC005	c	2,3,4	00	BLAST CHILLER/FREEZER 12,5/7 KG GN1/1 R452A

Index and pages

		Last Updates	Page
Full Door/Porta intera	2	Ed. 09 2019	5
Cooling unit / Gruppo	3	Ed. 04 2016	5
Control panel/Pannello di controllo	4	Ed. 01 2017	5

Rev. 6

Grassetto = ultima modifica
Bold = last change

* Componenti a richiesta
* Components on demand

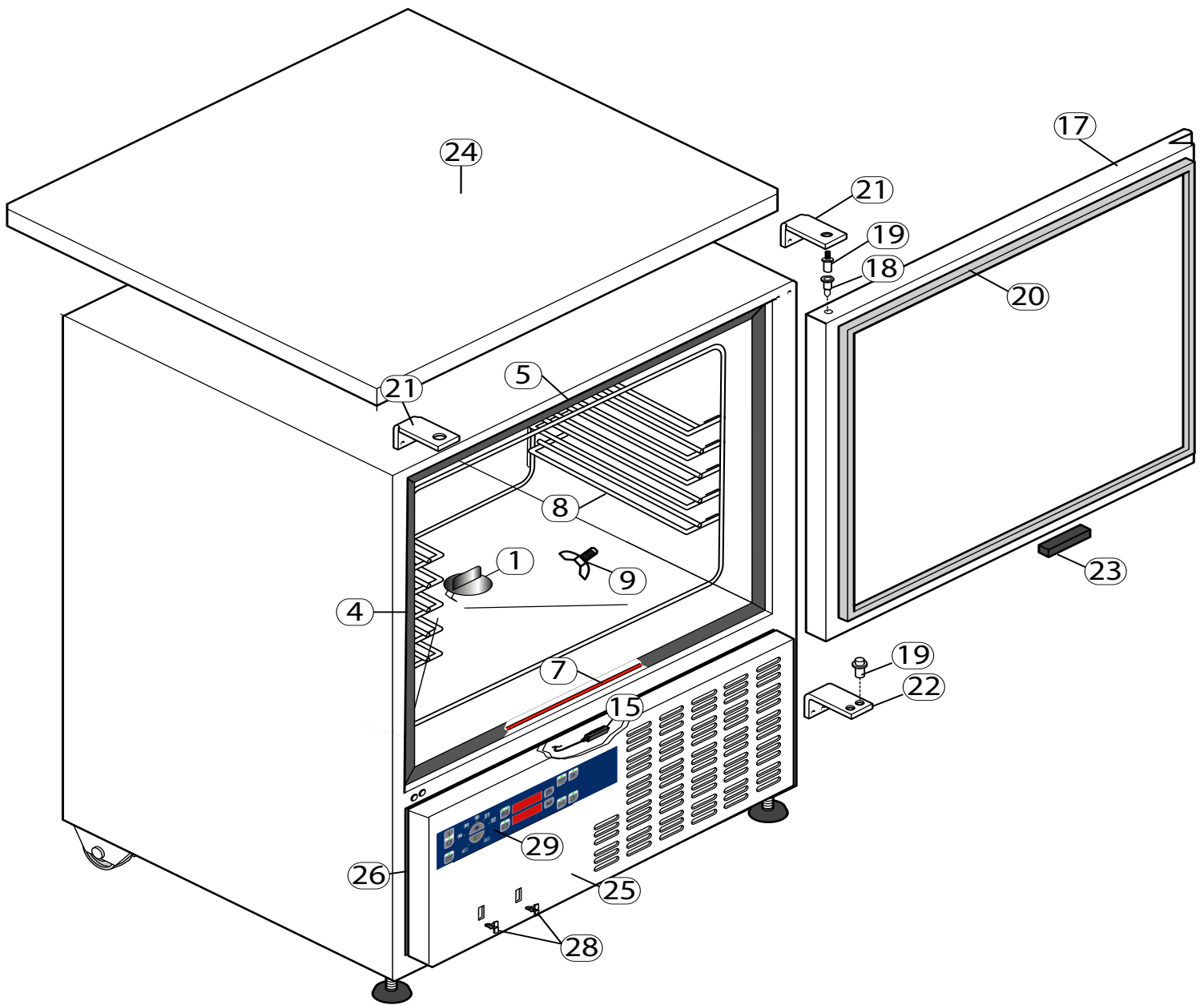
From Ser. Nr.43510001...
Up to Ser. Nr....

Page: 1

Updated 11 2021
Jan.-2015

Doc. Nr.: 541318b

Full door



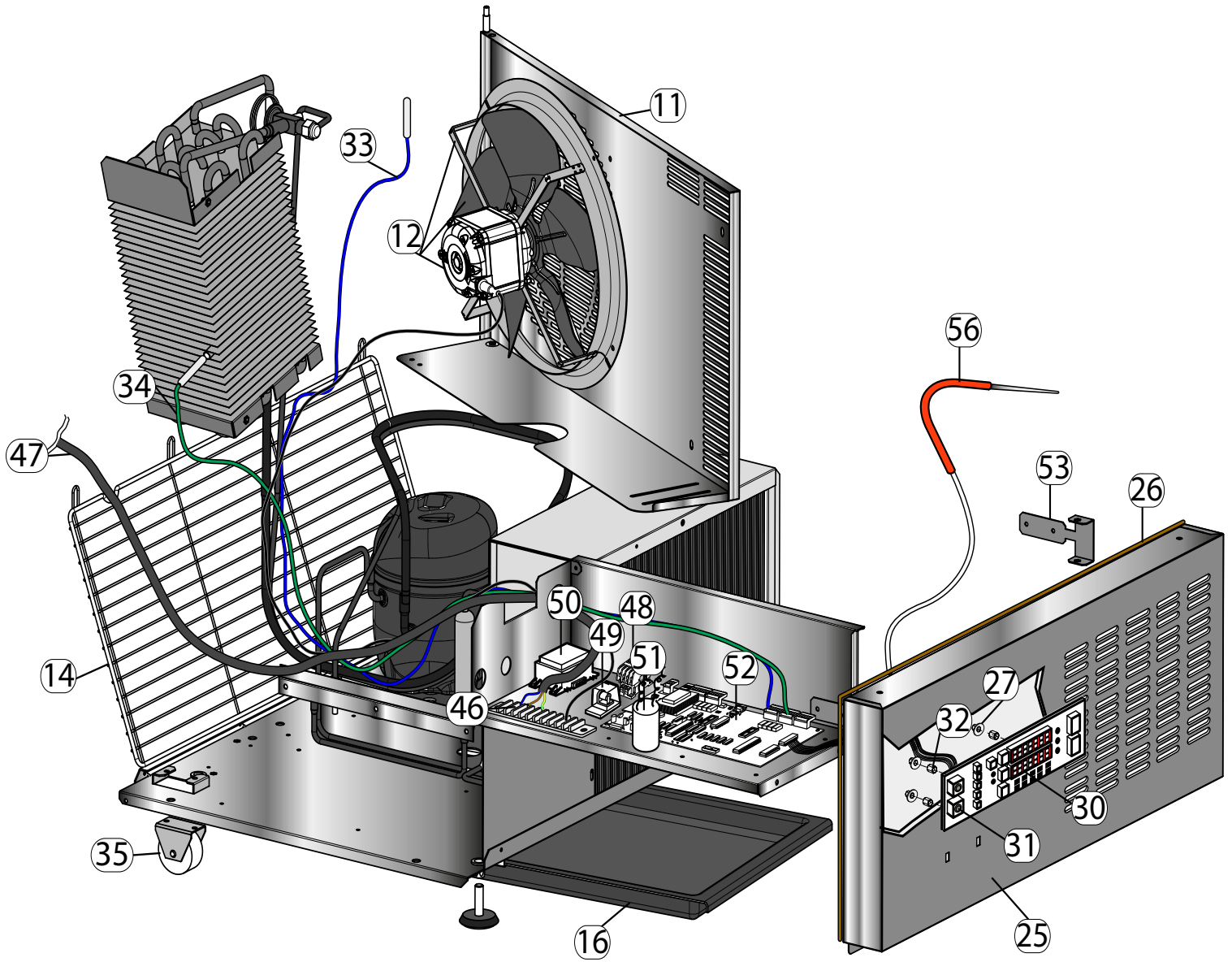
541318b ABB10KG

Grassetto = ultima modifica
 Bold = last change

* Componenti a richiesta
 * Components on demand

From Ser. Nr.43510001
 Up to Ser. Nr....

Control panel



541318 b parti elettriche

Grassetto = ultima modifica
Bold = last change

* Componenti a richiesta
 * Components on demand

From Ser. Nr.43510001
 Up to Ser. Nr....

Pos	Code	Factory code	Descrizione	Description	Ref./Notes
1	093934	546R27300	Tappo per piletta	Plug for pipe	
2	094257	546R26900	Ghiera per piletta	Nut for discharge pipe	
3	094256	546R26200	Portagomma per piletta	Rubber support for discharge pipe	
4	092884	505781401	Riscontro verticale	Vertical Frame	
5	092883	505781301	Riscontro Orizzontale	Horizontal frame	
6	094789	11008R008	Tube Flessibile	Discharge pipe , water	
7	088577	617723501	Cavo riscaldante 10 w/m	Heating frame 10W/m	a,b,c,d
8	087757	541718801	Struttura porta teglie	Shelf rack	
9	090008	518713700	Vite per supporto struttura	Screw for shelf rack	
10	089970	518713900	Perno per Carter M6	M6 pin for Carter fan	
11	095209	501R32200	Carter Evaporatore	Evaporator carter	
12	094338	682R07801	Ass. Ventilatore cella	Fan evaporator assembly	
13		565720800	Copertura isolante	Insulation cover	
14		514R17200	Griglia di chiusura posteriore	Back grid	
15	088578	640714201	Micro porta	Door micro switch	
16	087528	542702500	Baccinella raccolta condensa	Water condenser basin	
17	087529	877716302	Porta senza guarnizione	Door without gasket	
18	087955	549703000	Boccola per porta	Door bush	
19	082757	514706702	Perno pe cerniera	Door pin	
20	083377	543749902	Guarnizione per porta	Door Gasket	
21	087530	506767401	Cerniera superiore	Upper Hinge door	
22	087531	506767501	Cerniera inferiore	Lower hinge door	
23	087533	640712000	Magnete	Magnet	
24	095818	833R28600	Ass. Top	TOP	
25	088607	805763402	Ass. Cruscotto senza componenti	Control panel without comp.	Up to 2019/48
25	096092	805763403	Ass. Cruscotto senza componenti	Control panel without comp.	From 2019/49
26	0L3189	140088006	Guarnizione di tenuta cruscotto	Gasket for control panel	
27	0C8336	218562004	Dado esagonale per scheda	Nut for user board	
28	053342	518801801	Molla per marchio	Brand retaining spring	Up to 2019/48
29	094227	755R08500	Mascherina comandi (elux) bcf	Control sticker (elux) bcf	a,b up to 2019/48
29	096088	755R08502	Mascherina comandi (elux) bcf	Control sticker (elux) bcf	a,b from 2019/49
29	094225	755R08300	Mascherina comandi (alpen) bcf	Control sticker (alpen) bcf	c up to 2019/48
29	096086	755R08301	Mascherina comandi (alpen) bcf	Control sticker (alpen) bcf	c from 2019/49
29	094229	755R08700	Mascherina comandi (zan) bcf	Control sticker (zan) bcf	d,h up to 2019/48
29	096090	755R08701	Mascherina comandi (zan) bcf	Control sticker (zan) bcf	d,h from 2019/49
29	094226	755R08400	Mascherina comandi (elux) bc	Control sticker (elux) bc	e,i up to 2019/48
29	096087	755R08402	Mascherina comandi (elux) bc	Control sticker (elux) bc	e,i from 2019/49
29	094224	755R08200	Mascherina comandi (alpen) bcf	Control sticker (alpen) bc	f up to 2019/48
29	096085	755R08201	Mascherina comandi (alpen) bcf	Control sticker (alpen) bc	f from 2019/49
29	094228	755R08600	Mascherina comandi (zan) bc	Control sticker (zan) bc	g up to 2019/48
29	096089	755R08601	Mascherina comandi (zan) bc	Control sticker (zan) bc	g from 2019/49
30	092700	648R04201	Scheda pulsanti	User board	
31	096604	546R15200	Spessore adesivo per pulsanti	Thickness adhesive for user board	
32	092819	516R03700	Distanziale per scheda	Spacer nut for user board	
33	092177	646R07200	Sonda cella Blu	Probe cell	

Grassetto = ultima modifica
Bold = last change

* Componenti a richiesta
* Components on demand

Pos	Code	Factory code	Descrizione	Description	Ref./Notes
34	093531	646R12000	Sonda Evapoatore grigia	Probe Evaporator grey	See TB_VTX2017_04
35	087507	835749600	Ruota H50	Whell h50	
36	096652	518R10000	Piedino M10 h 35mm	Feet H35 mm M10	
37	096470	684R14200	Compress CUBIGEL MX18FBA R404A/R452A 220-240V/50HZ	Compress CUBIGEL MX18FBA R404A/R452A 220-240V/50HZ	a,c,d from 2019/49 a,c,d up to 2019/48: +096471+096480+096481 (KIT 096472) See TB_VTX2019_03
	097093		Protettore	Klixon	a,c,d
	083156		Condensatore di marcia	Run capacitor	a,c,d
	097094		Condensatore di spunto	Starting capacitor	a,c,d
	097095		Staffa condensatore di spunto	Starting capacitor bracket	a,c,d
	097096		Relè	Terminal cover board	a,c,d
37	093787	648R09000	Compress. Emb. NT2168GK 220 60hz	Compress. Emb. NT2168GK 220 60hz	b
37	083718	684707801	Compress. cub. GL90TB 220 50hz	Compress. cub. GL90TB 220 50hz	e,f,g,i
38	088099	830797204	Condensatore 11T4R375A	Condenser 11T4R375A	a,b,c,d
38	088592	830798004	Condensatore 11T2R375A	Condenser 11T2R375A	e,f,g,i
39	093858	682R07101	Ventilatore condensatore 230 50/60HZ	Motor fan condenser 230 50/60HZ	
40	093857	511R01400	Ventola condensatore 254/28	Fan condenser 254/28	
41	095494	505R19401	Staffa ventilatore condensatore	Fan support	Up to 2020/26
41		505R27002	Staffa ventilatore condensatore	Fan support	From 2020/27
42	0A9410	805734802	Filtro gr 40 xh9 D 6.2	Filtro gr 40 xh9 D 6.2	
43	096471	831R08702	Ass. Scambiatore 404A	Pipe exchanger 404A	a,c,d
43	094341	831R06800	Ass. Scambiatore 134A	Pipe exchanger 134A	e,f,g,i
43	094352	831R07100	Ass. Scambiatore per 60HZ 404A	Pipe exchanger per 60hz 404A	b
44	094339	830R08900	Evaporatore	Evaporator	
45	094353	646R12701	Valvola termostatica R404A	Thermostatic Valve 404A	a,b,c,d,h
45	094354	646R12800	Valvola termostatica R134A	Thermostatic Valve 134A	e,f,g,i
46	095003	856R23200	Ass.Cablaggio con morsettieria	Clamp with wiring	
47	0TTV63	634704100	Cavo alimentazione 3500 mm 2.5mmq	Wiring power cable 3500 mm 2.5mmq	
48	088557	648727100	Teleruttore 220_230 50 hz 240_60hz	Contactore 220_230 50 hz 240_60hz	
49	056510	648802700	Relè finder 24V	Relay finder 24 V	
50	087662	624711702	Trasformatore 230/24 V	Voltage adaptor 230/24 V	
51	084987	694700800	Filtro procond tipo LC	Filter LC	
52	093125	648R04902	Scheda principale	Main board	
53		512773002	Supporto dx /sx cruscotto	Right and left support control panel	
54	0A8719	541706000	Gommino per staffa	Rubber for fan support	Up to 2020/26
55	085505	845713000	Valvola di ricarica H42	Schraden/filling valve H42	e,f,g,i
55	091217	515R03801	Valvola di ricarica H42	Schraden/filling valve H42	a,b,c,d
56	092704	646R09801	Spillone conico 1 punto	Food probe one sensor	a,b,c,d,h,i

Grassetto = ultima modifica
Bold = last change

* Componenti a richiesta
* Components on demand

From Ser. Nr.43510001
Up to Ser. Nr....

Page: 6

Updated 11 2021
Ed. 05

Doc. Nr.: 541318b